

DAPHINE 45th ANNIVERSARY

TOMMASO CIMINI



DAPHINE 45th ANNIVERSARY - TOMMASO CIMINI





DAPHINE 45th ANNIVERSARY - TOMMASO CIMINI

Our icon & masterpiece: Daphine.

Back in 1991, Lumina presented a special lamp for the 15th Anniversary with a particular finish, numbered and sold to the most loyal customers of the brand.

For the **special edition of 2021** we are considering a unique aesthetic solution, only for collectors and lovers.

The lamp will have the same finish and color as the 15th anniversary one, and will be also customized with a laser-etched aluminium celebratory plate showing the original signature of the Lumina founder and creator of Daphine, Tommaso Cimini and the **limited edition number**.

We have also decided to re-propose the same number of pieces produced (226) as in 1991 our major customers, Daphine lovers, were exactly 226.

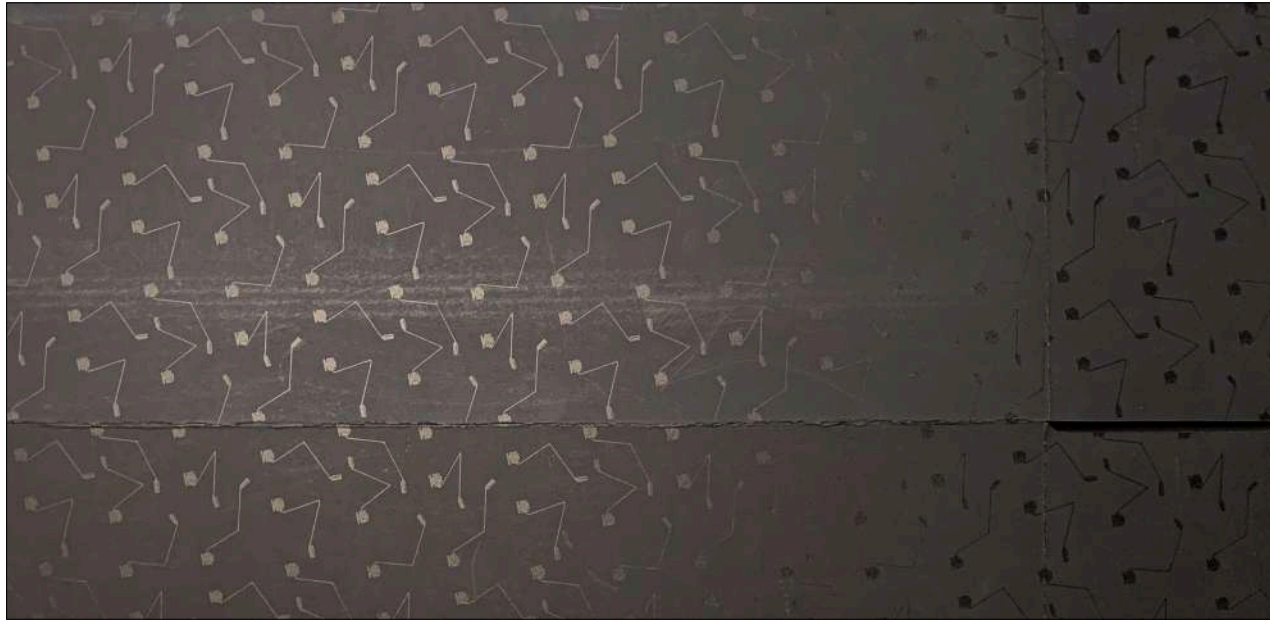
The recycled cardboard box will have graphics and a die-cut interior that makes the lamp precious even for a gift.
The whole will be complete with its matte black outer box with the tone-on-tone Daphine silhouette.

As Daphine is an long lasting product we have decided to extend the **warranty to 10 years**.

Public Price: € **814.00 + VAT**.



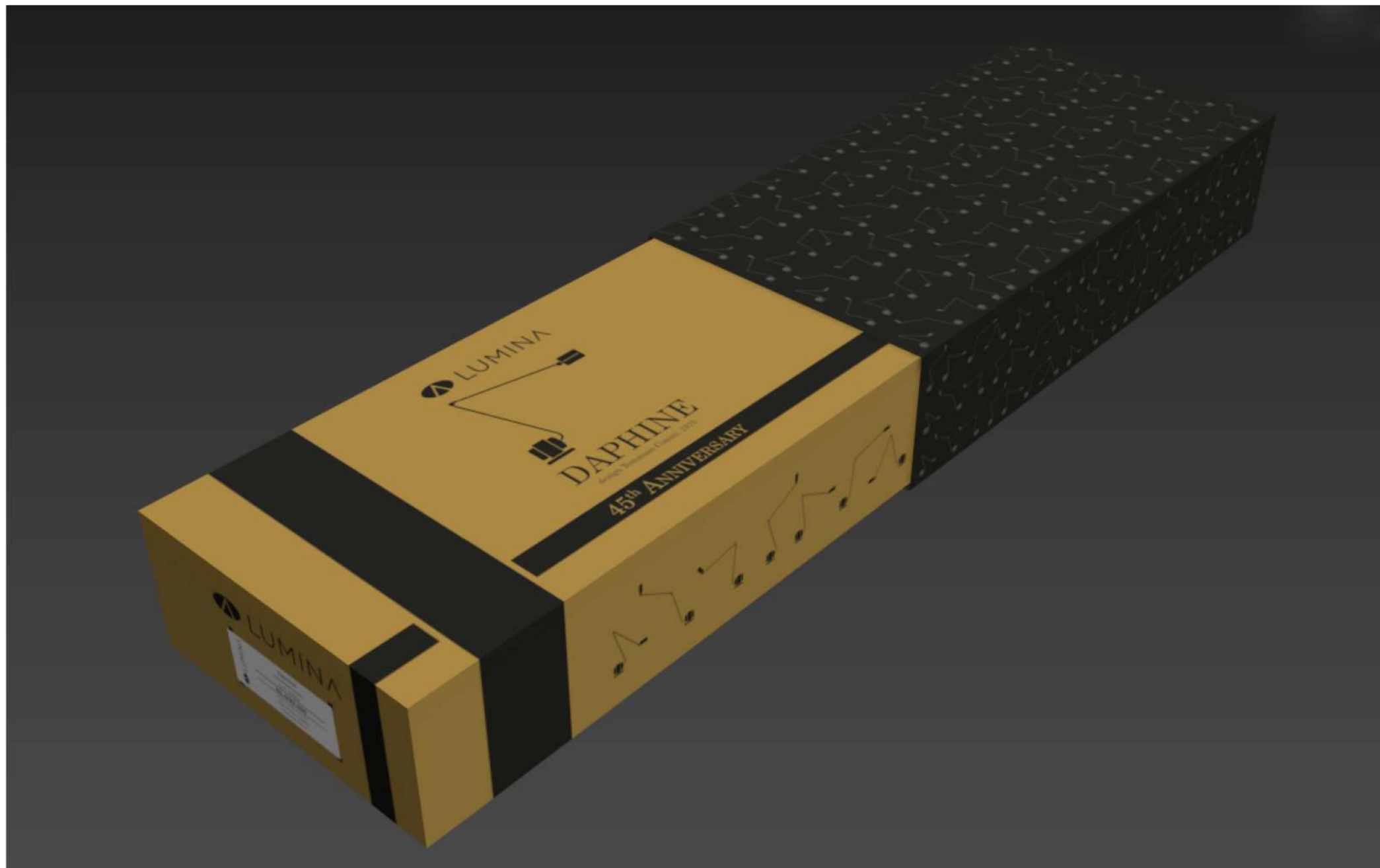
DAPHINE 45th ANNIVERSARY - TOMMASO CIMINI



Outer box with the tone-on-tone Daphine silhouette

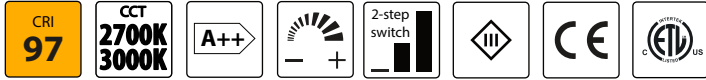


Recycled cardboard box will have graphics and a die-cut interior that makes the lamp precious even for a gift



Technical Data

release 2021, March



Finishing

- Velvet grey
cod. 01LS005 (3000K)
cod. 01LS005K27 (2700K)

Light emission

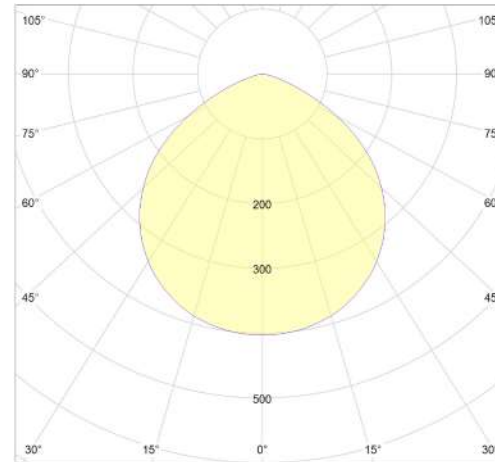
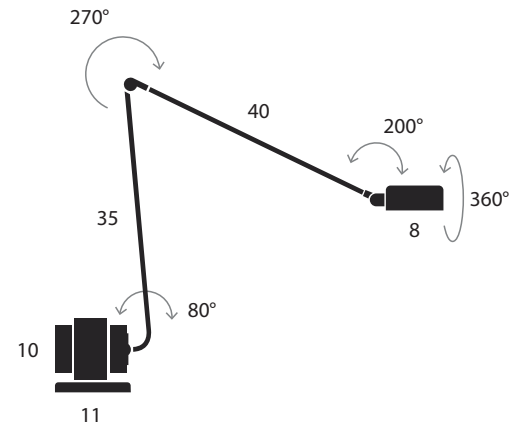
- Light emission: diffuse
- Light direction: downlight
- Light source: led board
- Source flux: 800 lm
- Emitted flux: 643 lm
- Efficacy: 64,3 lm/W
- CCT: 2700K or 3000K
- CRI index: 97
- Lifetime: >55000h L80 @ 25°C

Electrical Facts

- Source power: 9W
- Power absorption: 10W
- Stand-by absorption: < 1 W
- Grid voltage: 100-240V AC/50-60 Hz
- Power supply: multiplug AC-DC converter provided
- Dimmability: internal push dimmer – 2 ways dimming
- Energy class: A++

Technical data

- Environment: indoor
- Placement: table
- Net weight: 2,5 Kg
- Certifications: CE + ETL
- Suggested ambient T: 25°C
- Maximum ambient T: 40°C
- Insulation class: III
- Protection class: IP20



THANK YOU